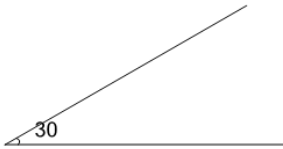


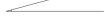

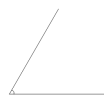
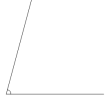


Math worksheet on 'Angles - Estimating - Reversed With Reference (Level 1)'. Part of a broader unit on 'Geometry - Angle Basics'

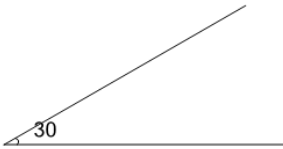
Learn online: app.mobius.academy/math/units/geometry_angle_basics/



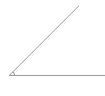
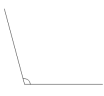
1 If the displayed angle is 30° , which angle shows 15° ?



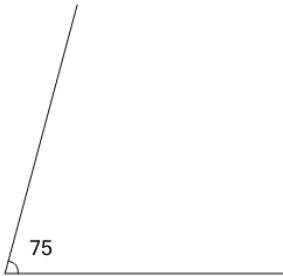
a	b	c
		
d		
		






2 If the displayed angle is 30° , which angle shows 45° ?



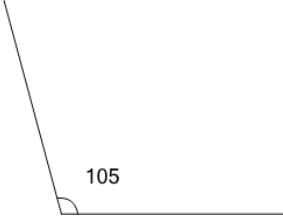
a	b	c
		
d		
		






3 If the displayed angle is 75° , which angle shows 90° ?



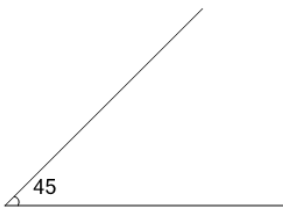
a	b	c
		
d	e	
		




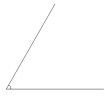
4 If the displayed angle is 105° , which angle shows 90° ?



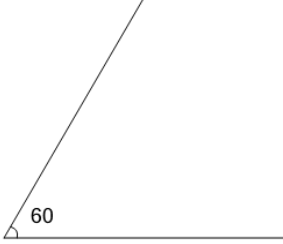
a	b	c
		
d	e	
		

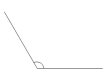



5 If the displayed angle is 45° , which angle shows 60° ?



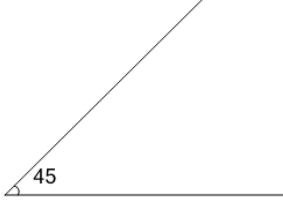
a	b	c
		
d		
		




6 If the displayed angle is 60° , which angle shows 45° ?



a	b	c
		
d		
		

7 If the displayed angle is 45° , which angle shows 30° ?



a	b	c
		
d		
