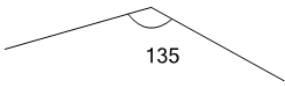


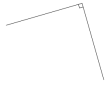



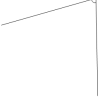



Math worksheet on 'Angles - Estimating - Reversed With Reference (Level 3)'. Part of a broader unit on 'Geometry - Angle Basics'

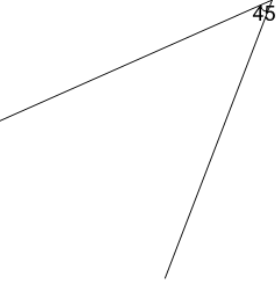
Learn online: app.mobius.academy/math/units/geometry_angle_basics/




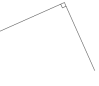
1 If the displayed angle is 135° , which angle shows 150° ?



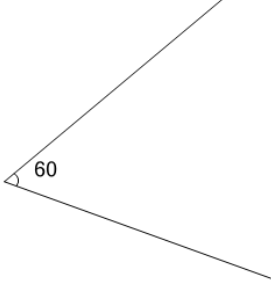
a	b	c
		
d	e	f
		


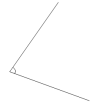



2 If the displayed angle is 45° , which angle shows 30° ?




a	b	c
		
d		
		






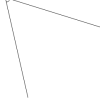
3 If the displayed angle is 60° , which angle shows 75° ?



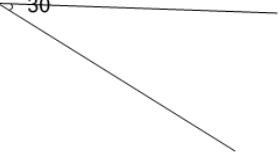
a	b	c
		
d	e	
		

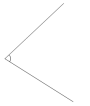


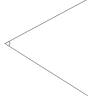
4 If the displayed angle is 135° , which angle shows 120° ?



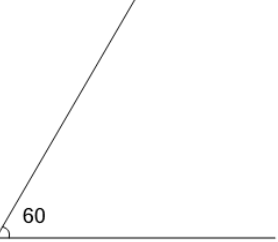
a	b	c
		
d	e	f
		





5 If the displayed angle is 30° , which angle shows 15° ?



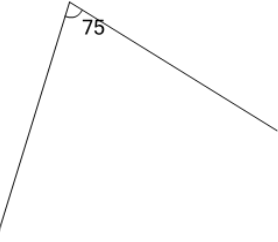
a	b	c
		
d		
		

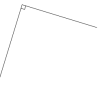


6 If the displayed angle is 60° , which angle shows 75° ?



a	b	c
		
d		
		

7 If the displayed angle is 75° , which angle shows 90° ?



a	b	c
		
d	e	
