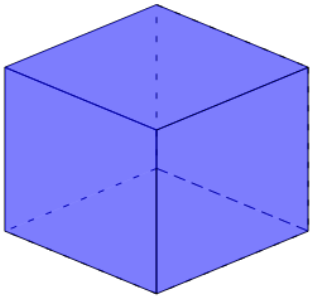




Math worksheet on '3D Shapes - Count Edges - First Time (Level 1)'. Part of a broader unit on 'Geometry Basics - Advanced'

Learn online: [app.mobius.academy/math/units/geometry\\_basics\\_advanced/](http://app.mobius.academy/math/units/geometry_basics_advanced/)

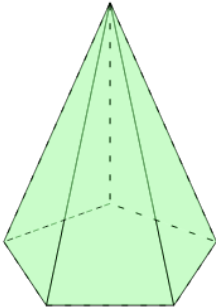
**1**



How many edges does this shape have?

<b>a</b>	<b>b</b>
12 Edges	10 Edges

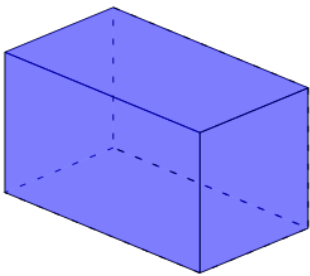
**2**



How many edges does this shape have?

<b>a</b>	<b>b</b>
11 Edges	10 Edges

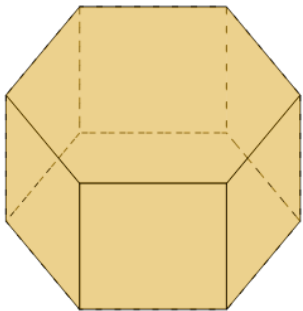
**3**



How many edges does this shape have?

<b>a</b>	<b>b</b>
13 Edges	12 Edges

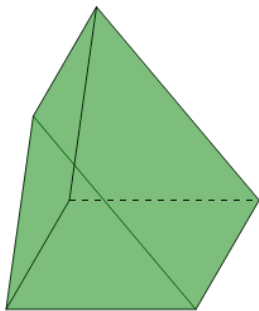
**4**



How many edges does this shape have?

<b>a</b>	<b>b</b>
16 Edges	18 Edges

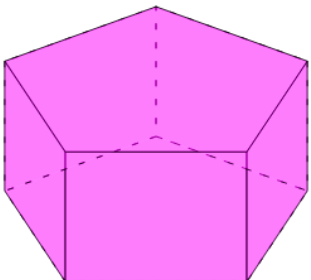
**5**



How many edges does this shape have?

<b>a</b>	<b>b</b>
10 Edges	9 Edges

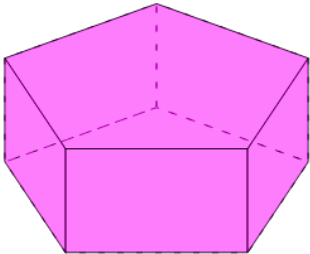
**6**



How many edges does this shape have?

<b>a</b>	<b>b</b>
15 Edges	14 Edges

**7**



How many edges does this shape have?

<b>a</b>	<b>b</b>
13 Edges	15 Edges